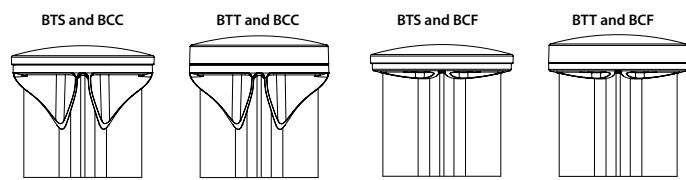
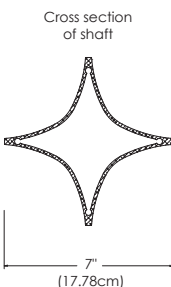
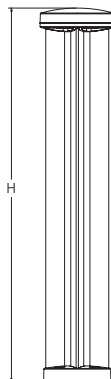






# RADEAN Bollard

## LED Site Luminaire



Catalog Number

Notes

Type

**Received**  
**Planning Division**  
08/31/2023

Hit the Tab key or mouse over the page to see all interactive elements.

### Introduction

The Radean LED Bollard is an award-winning, energy-saving, long-life solution designed to perform the way a bollard should.

The Radean LED Bollard's rugged construction, durable finish and long-lasting LEDs will provide years of maintenance-free service.

### Specifications

- Diameter:** D = 8.25" (20.96cm)
- Height:** H = 41.5" Standard (105.41cm)
- Weight (max):** 20lbs (9.07Kg)

### Ordering Information

**EXAMPLE:** RADB LED P4 30K SYM MVOLT BTS BCCDNATXD DBLXD

RADB LED							
Series	Performance Package	Color temperature	Distribution	Voltage	Control options	Bollard top (required)	
RADB LED	P1	27K 2700 K	ASY Asymmetric <sup>2</sup>	MVOLT <sup>3</sup>	<b>Shipped installed</b> PE Photoelectric cell, button type <sup>5,5</sup> DMG 0-10V dimming driver (no controls) E7WH Emergency battery backup, Certified in CA Title 20 MAEDBS1 <sup>6,7</sup> FAO Field adjustable output <sup>5</sup> PIR Motion sensor Bi-level <sup>3,5,6,7</sup>	<b>Slim Top</b> BTS Slim top, painted to match shaft <sup>5,8</sup> BTSDWHXD Slim top, white <sup>5,8</sup> BTSDBLBXD Slim top, black texture <sup>5,8</sup> BTSDBLXD Slim top, black <sup>5,8</sup> BTSDDBTXD Slim top, dark bronze textured <sup>5,8</sup> BTSDDBXD Slim top, dark bronze <sup>5,8</sup> BTSDNATXD Slim top, natural aluminum textured <sup>5,8</sup> BTSDNAXD Slim top, natural aluminum <sup>5,8</sup> BTSDWHGXD Slim top, white textured <sup>8</sup>	<b>Tall Top</b> BTT Tall top painted to match shaft <sup>8</sup> BTDBLBD Tall top, black textured <sup>8</sup> BTDBLXD Tall top, black <sup>8</sup> BTDDBTXD Tall top, dark bronze textured <sup>8</sup> BTDDBDXD Tall top, dark bronze <sup>8</sup> BTDDNATXD Tall top, natural aluminum textured <sup>8</sup> BTDDNAXD Tall top, natural aluminum <sup>8</sup> BTDDWHGXD Tall top, white textured <sup>8</sup> BTDDWHXD Tall top, white <sup>8</sup>
	P2	30K 3000 K	SYM Symmetric <sup>1</sup>	120			
	P3	35K 3500 K		208 <sup>3</sup>			
	P4	40K 4000 K		240 <sup>3</sup>			
	P5 <sup>1</sup>	50K 5000 K		277 347 480			
Bollard crown (required)						Other options	
<b>Deep Crown</b> BCC Deep crown, painted to match shaft <sup>8</sup> BCCDWHXD Deep crown, white <sup>8</sup> BCCDBLXD Deep crown, black <sup>8</sup> BCCDBLBDX Deep crown, black textured <sup>8</sup> BCCDDBTXD Deep crown, dark bronze textured <sup>8</sup> BCCDDBXD Deep crown, dark bronze <sup>8</sup> BCCDNATXD Deep crown, natural aluminum textured <sup>8</sup> BCCDNAXD Deep crown, natural aluminum <sup>8</sup> BCCDWHGXD Deep crown, white textured <sup>8</sup>			<b>Flat Crown</b> BCF Flat crown, painted to match shaft <sup>8</sup> BCFDBLBDX Flat crown, black textured <sup>8</sup> BCFDBLXD Flat crown, black <sup>8</sup> BCFDDBTXD Flat crown, dark bronze textured <sup>8</sup> BCFDDBXD Flat crown, dark bronze <sup>8</sup> BCFDNATXD Flat crown, natural aluminum textured <sup>8</sup> BCFDNAXD Flat crown, natural aluminum <sup>8</sup> BCFDWHGXD Flat crown, white textured <sup>8</sup> BCFDWHXD Flat crown, white <sup>8</sup>			H24 <sup>6,9</sup> 24" overall height H30 <sup>6,9</sup> 30" overall height H36 <sup>6,9</sup> 36" overall height L/AB Without anchor bolts	<b>Finish (required)</b> DDBXD Dark bronze DBLXD Black DNAXD Natural aluminum DWHXD White DDBTXD Textured dark bronze DBLBDX Textured black DNATXD Textured natural aluminum DWHGXD Textured white

### Accessories

Ordered and shipped separately.

RADBAB U	Anchor bolts (4)	RK1RADB BCKIT (FINISH) U	Base cover with bolt caps
RADBABC DDBXD U	Replacement anchor bolt covers (specify finish) (4)	RK1RADB EMTESTMAG U	Emergency test stylus

### NOTES

- P5 only available in SYM distribution.
- ASY has only two illuminated quadrants driven at higher drive currents to generate similar output as the SYM-4-quadrant product.
- PIR not available with 208V or 240V.
- PE only available with ASY.
- PE, PIR and FAO not available with BTS.
- E7WH and PIR only available in full height. Not available with H24, H30 or H36.
- PIR not available with E7WH.
- Architectural and custom colors available (additional leadtimes and cost may apply).
- 42" Height is standard. H24, H30 and H36 have longer leadtimes.





# VCPG LED Parking Garage

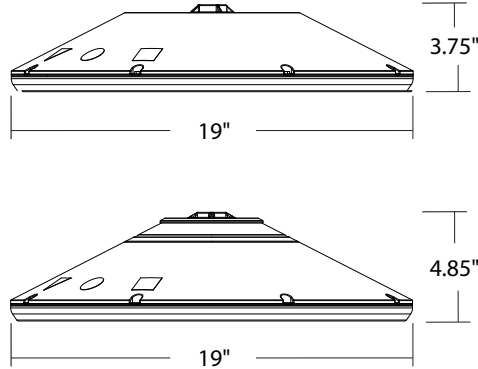


Catalog Number
Notes
Type

Hit the Tab key or mouse over the page to see all interactive elements.

## Specifications

- Diameter:** 19"
- Height:** 3.75"  
(4.85" with Up-Light)
- Weight** (max, with no options): 18 lbs



## Introduction

The all new VCPG LED (Visually Comfortable Parking Garage) luminaire is designed to bring glare control, optical performance and energy savings into one package. The recessed lens design of VCPG LED minimizes high angle glare, while its precision molded acrylic lens eliminates LED pixilation and delivers the required minimums, verticals and uniformity. The dedicated up-light module option reduces the contrast between the luminaire and the ceiling creating a more visually comfortable environment.

The VCPG LED delivers up to 87% in energy savings when replacing 175W metal halide luminaires. With over 100,000 hour life expectancy (12+ years of 24/7 continuous operation), the VCPG LED luminaire provides significant maintenance savings over traditional luminaires.

A+ Capable options indicated by this color background.

## Ordering Information

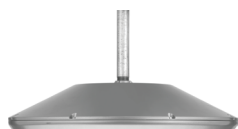
EXAMPLE: VCPG LED V4 P4 40K 70CRI T5M MVOLT SRM DNAXD

VCPG LED							
Series	LED Light Engines	Package	Color temperature	Color Rendering Index	Distribution	Voltage	Mounting
VCPG LED	V4 <sup>1</sup> 4 Light Engines	P1 <sup>1</sup>	30K 3000 K	70CRI	T5M Type V, medium	MVOLT 347 120	<b>Shipped included</b> PM Pendant mount standard (24-inch length supply leads) SRM Surface mount (24-inch length supply leads) ARM Arm mount (use RSXWBA accessory to mount to a wall)  <b>Shipped separately</b> YK Yoke/trunnion mount <sup>3</sup>
		P2 <sup>1</sup>	35K 3500 K	80CRI	T5R <sup>2</sup> Type V, rectangular		
	V8 <sup>1</sup> 8 Light Engines	P3 <sup>1</sup>	40K 4000 K		T5W Type V, wide	240 240	
		P4 <sup>1</sup>	50K 5000 K		T5E Type V entry	277 277	
		P5 <sup>1</sup>			LANE <sup>2</sup> Drive lane	347 347	
		P6 <sup>1</sup>				480 480	
		P7 <sup>1</sup>					

Options	Finish <i>(required)</i>
<b>Shipped installed</b> UPL1 Up-Light: 500 lumens UPL2 Up-Light: 700 lumens E8WC Emergency battery backup, Certified in CA Title 20 MAEDBS (8W, -20°C min) <sup>4,5,6</sup> E10WH Emergency battery backup, Certified in CA Title 20 MAEDBS (10W, 5°C min) <sup>4,5,6</sup> HA High ambient (50°C, only P1-P4) SF Single fuse (120V, 277V, 347V) DF Double fuse (208V, 240V, 480V) SPD10KV 10KV Surge Pack LDS36 36in (3ft) lead length LDS72 72in (6ft) lead length LDS108 108in (9ft) lead length DMG External 0-10V leads (no controls) <sup>7</sup> TP Tamper proof screws <b>Shipped Separately</b> WG Wire Guard BDS Bird Shroud HS House Side Shield BSW Bird Spikes	<b>Standalone Sensors/Controls<sup>2</sup></b> PIR Motion/ambient sensor for 8-15' mounting heights PIRH Motion/ambient sensor for 15-30' mounting heights PIR3FC3V Motion/ambient sensor for 8-15' mounting heights, pre programmed to 3fc and 35% light output PIRH3FC3V Motion/ambient sensor for 15-30' mounting heights, pre programmed to 3fc and 35% light output  <b>Networked Sensors/Controls<sup>2</sup></b> NLTAIR2 PIR nLIGHT AIR Wireless enabled motion/ambient sensor for 8-15' mounting heights NLTAIR2 PIRH nLIGHT AIR Wireless enabled motion/ambient sensor for 15-30' mounting heights NLTAIR2 PIR924 nLIGHT AIR Wireless enabled, UL924 Listed motion/ambient sensor for 8-15' mounting heights <sup>8</sup> NLTAIR2 PIRH924 nLIGHT AIR Wireless enabled, UL924 Listed motion/ambient sensor for 15-30' mounting heights <sup>8</sup>
	DWHXD White DNAXD Natural aluminum DDBXD Dark bronze DBLXD Black  <b>Note: Product will be shipped in job packs of 18pcs per box. The remaining units will be shipped in unit packs.</b>



## Mounting, Options &amp; Accessories



**PM – Pendant Mount**  
(compatible with 3/4" NPT,  
pendant stem provided by  
others)  
D = 19"  
H = 4.1"



**SRM – Surface Mount**  
D = 19"  
H = 4.1"



**SRM – Surface Mount  
with Up-Light**  
D = 19"  
H = 5.3"



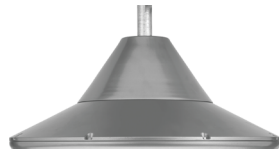
**YK – Yoke/Trunnion Mount**  
D = 19"  
H (Yoke) = 10"-18"



**ARM – Arm Mount**  
L = 28"  
W = 19"  
H = 8"



**PIR & PIRH – Motion/  
Ambient sensor**  
D = 19"  
H = 4.6" (no up-light)  
or 5.6" (with up-light)



**BDS – Bird shroud for  
pendant mount**  
D = 19"  
H = 8"



**BDS – Bird shroud for  
yoke mount**  
D = 19"  
H (Yoke) = 10"-18"



**WG – Wire guard**  
D = 19"  
H = 4.9" (no uplight)  
or 5.9" (with up-light)



**HS – House side shield**  
D = 19"  
H = 7.1" (no up-light) or  
8.1" (with up-light)

## FEATURES &amp; SPECIFICATIONS

## INTENDED USE

The visually comfortable optics, energy savings, and long life of the VCPG LED Parking Garage luminaire make it an ideal choice for new commercial installations and retrofit parking garage opportunities. It is designed to meet or exceed recommended illuminance criteria when installed as a direct replacement of most HID parking garage luminaires. Its modern dayform and aesthetics also make it appealing for indoor low-bay applications.

## CONSTRUCTION

Two-piece die-cast aluminum housing has integral heat sink fins to optimize thermal management through conductive and convective cooling. The LED driver is separated from the heat generating light engines and mounted in direct contact with the casting to promote low operating temperatures, higher lumen maintenance and long life. The housing is completely sealed against moisture and environmental contaminants (IP66) and is suitable for hose-down application.

## FINISH

Exterior painted parts are protected by a zinc-infused Super Durable TGIC thermoset powder coat finish that provides superior resistance to corrosion and weathering. A tightly controlled multi-stage process ensures a 3 mils thickness for a finish that can withstand extreme climate changes without cracking or peeling.

## OPTICS

Light guide technology provides a diffused light source, reducing glare from direct view of the LEDs. The light source is recessed into the luminaire, further reducing the high angle glare from the luminaire. A combination of precision molded micro prismatic acrylic lenses and back reflectors provide five different photometric distributions tailored specifically to parking garage applications. Up-light option comes with a dedicated light engine and custom optic designed to efficiently spread light on to the ceiling, thus reducing the cave effect.

## ELECTRICAL

Light engine consists of high-efficacy LEDs mounted to metal-core circuit boards to maximize heat dissipation and promote long life (up to L89/100,000 hours at 25°C). The electronic driver has a power factor of >90%, THD <20%, and a minimum 6.0 KV surge rating. When ordering the SPD10KV option, a separate 10kV (5kA) surge protection device is installed within the luminaire which meets a minimum Category C low operation (per ANSI/IEEE C62.41.2). Luminaire is 0-10V dimmable down to 10% or lower.

## INSTALLATION

Standard configuration accepts a rigid or free-swinging 3/4" NPT stem for pendant mounting. The surface mount option attaches to a 4x4" recessed or surface mount outlet box using a quick-mount kit (included); kit contains galvanized steel luminaire and outlet box plates and a full pad gasket. Kit has an integral mounting support that allows the luminaire to hinge down for easy electrical connections. Luminaire and plates are secured with set screws. Also, available with a yoke/trunnion mount option with 3/4" NPT provision for flexible conduit entry (conduit by others); height can be adjusted from 10-18". Supply leads are 24" in length as standard. Longer supply leads are available as additional options. Design can withstand up to a 3.0 G vibration load rating per ANSI C136.31.

## LISTINGS

CSA certified to U.S. and Canadian standards. IP66 rated for outdoor applications. PIR options are rated for wet location. Rated for -40°C minimum ambient. DesignLights Consortium® (DLC) Premium qualified product and DLC qualified product. Not all versions of this product may be DLC Premium qualified or DLC qualified. Please check the DLC Qualified Products List at [www.designlights.org/QPL](http://www.designlights.org/QPL) to confirm which versions are qualified.

## BUY AMERICAN ACT

This product is assembled in the USA and meets the Buy America(n) government procurement requirements under FAR, DFARS and DOT regulations. Please refer to [www.acuitybrands.com/resources/buy-american](http://www.acuitybrands.com/resources/buy-american) for additional information.

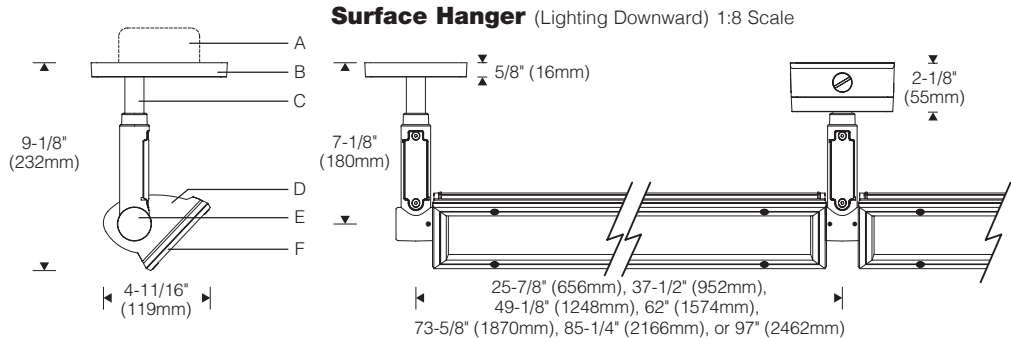
## WARRANTY

5-year limited warranty. This is the only warranty provided and no other statements in this specification sheet create any warranty of any kind. All other express and implied warranties are disclaimed. Complete warranty terms located at: [www.acuitybrands.com/support/warranty/terms-and-conditions](http://www.acuitybrands.com/support/warranty/terms-and-conditions)

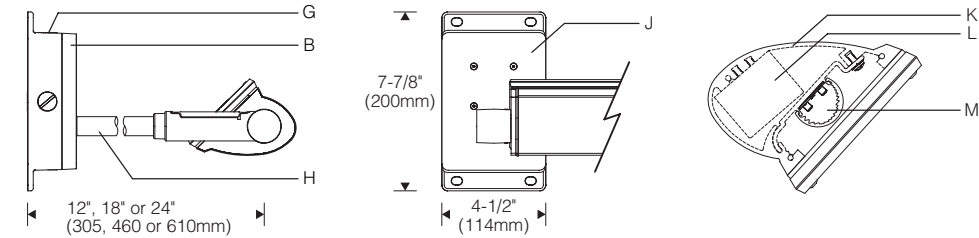
**Note:** Actual performance may differ as a result of end-user environment and application.

All values are design or typical values, measured under laboratory conditions at 25 °C. Specifications subject to change without notice.



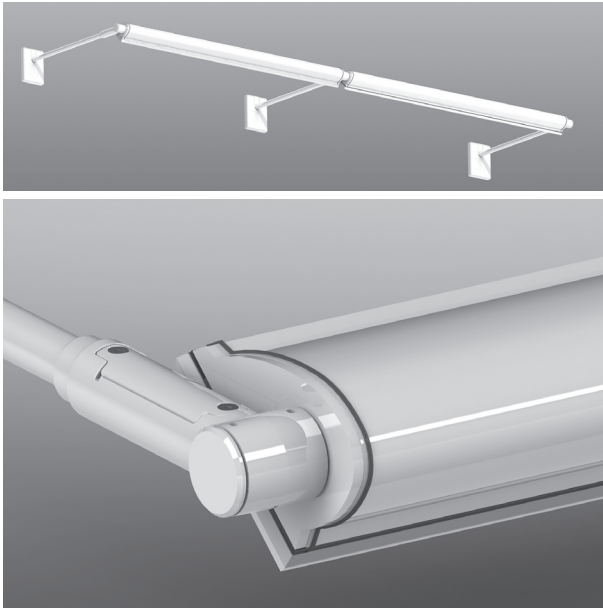


**Surface Hanger** (Lighting Downward) 1:8 Scale



**Cantilever Hanger** (Lighting Upward) 1:8 Scale

**Internal Components** 1:4 Scale



**Specifications**

- A** Recessed outlet box (by others)
- B** Die-cast aluminum mounting plate
- C** Aluminum surface hanger stem
- D** Die-cast aluminum end plate
- E** Die-cast aluminum hub with splice compartment
- F** Extruded aluminum door frame with mitered corners, tempered micro-prismatic glass lens
- G** Die-cast aluminum splice box
- H** Schedule 40 galvanized steel cantilever arm (7/8" O.D.)
- J** Aluminum splice/access cover
- K** Extruded aluminum heat sink/housing
- L** Integral high power factor constant current driver
- M** Field serviceable light engine with asymmetric optic

**Features**

- Watertight operation facing up or down
- Rugged all aluminum and stainless steel construction – polyester powder coat exceeds 1000 hour salt spray test
- Versatile – surface, cantilever or pendant mount
- Several lumen packages that put the light on target



**Optic Assembly:**

Two-piece extruded aluminum heat sink housing and light engine. Precision extruded polymer refractive lens with optimized asymmetric distribution. Extruded aluminum door frame with tamper-resistant fasteners. Tempered microprismatic glass lens and holographic diffuser with silicone gasket for watertight operation when facing upward or downward.

**Finish:**

Exterior surfaces – 6 stage pretreatment and electrostatically applied thermoset polyester powder coating for a durable abrasion, fade and corrosion resistant finish. All hardware and components – non-corrosive stainless steel or aluminum.

**Electrical:**

Integral electronic HPF constant current driver(s), dimming drivers are optional. For complete driver specifications, see website, reference document [MA-1303](#). 84" leads exit one end of housing.

**Mounting:**

Required 1-1/2" diameter x 1-1/2" aluminum hubs with 1/2" NPT threaded entry, ordered and priced separately. Housing aiming is adjustable – locks with set screws. Alternately, order hubs with surface, pendant or cantilever hangers (see SV4.1). Hangers include aluminum mounting plate, cover plate and hub with 7/8" O.D. steel arm/stem. Specify end kit or intermediate hubs/hangers.

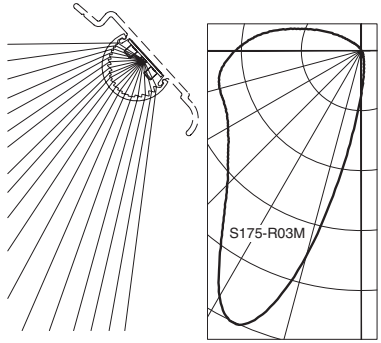
**Fixture weight:** 3.5 lbs/ft (5.1 kg/m)

**Standard:**

UL listed or CSA certified for wet locations when mounted horizontally. For positions other than horizontal, consult factory. 5 year warranty, maximum ambient temperature 45°C (113°F).

**Performance**

Precisely extruded acrylic lens produces an asymmetric distribution ideal for illuminating vertical surfaces evenly from top to bottom.



For LM79 and photometric reports, visit [thelightingquotient.com](http://thelightingquotient.com)

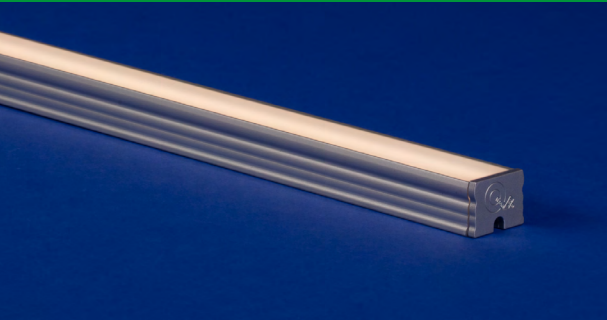
L90(10k) > 60,000 hrs. @ 25°C per TM-21





# TALO-ENCAPSULATED (03)

Linear Fixtures



Designed to create a minimalist effect. TALO's modern design and sleek flat lens promote full luminosity.

- High-quality aluminum housings and stainless steel clips are available in satin or black finishes
- Compatible with hidden stainless steel clips and plastic T-Bar clips for grid ceiling installations
- Available in Static White, Static White High Efficacy, Dynamic White, Dynamic White High Efficacy, Static Color, RGB, RGBW, and RGBW High Efficacy
- Encapsulation is available in a clear or translucent finish
- Integrated metal end caps combined with an extruded aluminum housing give this fixture a polished modern look

## Part Number Builder

Static White



Product	W/FT	CCT	Rated	Efficiency	Lens	Input/Output	Connector/Wire In	Connector/Wire Out	Wire Color	Wire Type	Mounting	Finish	Length* (in)
<b>TO3SW</b>			<b>ENC</b>	<b>STD</b>									
Voltage: 24 VDC	1.5 3.0 4.0 5.0	24 27 30 35 40	<b>ENC</b> (IP67)	<b>STD</b> Standard	<b>CL TL</b>	S1 S2  Single (Closed exit)  P1 P2  Pass through	BW BRL CON6 CON24	<b>CLS</b>	WH BK N/A	CL2 CL2P N/A	HSS TBC	ST BK	
Typical lumens at 5.0W/ft with CL at 3000K: 327 lm/ft								BW BRL CON6 CON24	BW BRL CON6 CON24				

\*Available in 1" increments, maximum length of 98.43" not including end caps. Tolerance +0.0"/-0.5. Minimum fixture length 6".

Static White High Efficacy



Product	W/FT	CCT	Rated	Efficiency	Lens	Input/Output	Connector/Wire In	Connector/Wire Out	Wire Color	Wire Type	Mounting	Finish	Length* (in)
<b>TO3SW</b>			<b>ENC</b>	<b>STD</b>									
Voltage: 24 VDC	1.5HE 3.0HE 6.0HE	24 27 30 35 40	<b>ENC</b> (IP67)	<b>STD</b> Standard	<b>CL TL</b>	S1 S2  Single (Closed exit)  P1 P2  Pass through	BW BRL CON6 CON24	<b>CLS</b>	WH BK N/A	CL2 CL2P N/A	HSS TBC	ST BK	
Typical lumens at 6.0W/ft with CL at 3000K: 555 lm/ft									BW BRL CON6 CON24	BW BRL CON6 CON24			

\*Available in 2" increments, maximum length of 98.43" not including end caps. Tolerance +0.0"/-0.5. Minimum fixture length 6".

- If selecting **BRL**, select N/A for wire color and type
- **BW** comes in standard 24"- request custom length (Max 120") by writing it in inches next to "BW" in the order code box (ex. BW48)
- **Connector/Wire In or Out** not needed to specify product. Standard configuration is Type S1, Connector/Wire In: BW & Connector/Wire Out: CLS
- Specify **CL2P** for plenum rated wire

- 5 year warranty
- Field modifications void warranty
- Data subject to change, all data has +/- 5% tolerance
- Compatible for use with Q-Tran power supplies
- IK10 rated



d<sup>series</sup>

# D-Series Size 1

## Legacy LED Area Luminaire

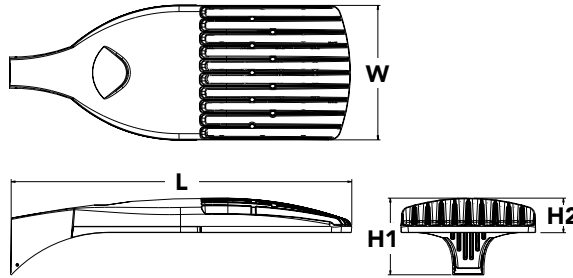


Catalog Number
Notes
Type

Hit the Tab key or mouse over the page to see all interactive elements.

### Specifications

<b>EPA:</b>	1.01 ft <sup>2</sup> (0.09 m <sup>2</sup> )
<b>Length:</b>	33" (83.8 cm)
<b>Width:</b>	13" (33.0 cm)
<b>Height H1:</b>	7-1/2" (19.0 cm)
<b>Height H2:</b>	3-1/2"
<b>Weight (max):</b>	27 lbs (12.2 kg)



### Introduction

The modern styling of the D-Series is striking yet unobtrusive - making a bold, progressive statement even as it blends seamlessly with its environment. The D-Series distills the benefits of the latest in LED technology into a high performance, high efficacy, long-life luminaire.

The outstanding photometric performance results in sites with excellent uniformity, greater pole spacing and lower power density. It is ideal for replacing up to 750W metal halide in pedestrian and area lighting applications with typical energy savings of 65% and expected service life of over 100,000 hours.

### Ordering Information

**EXAMPLE:** DSX1 LED P7 40K T3M MVOLT SPA NLTAIR2 PIRHN DDBXD G1

Series	LEDs	Color temperature	Distribution	Voltage	Mounting
DSX1 LED	<b>Forward optics</b> P1 P4 <sup>1</sup> P7 <sup>1</sup> P2 P5 <sup>1</sup> P8 P3 P6 <sup>1</sup> P9 <sup>1</sup> <b>Rotated optics</b> P10 <sup>2</sup> P12 <sup>2</sup> P11 <sup>2</sup> P13 <sup>1,2</sup>	30K 3000 K 40K 4000 K 50K 5000 K	T1S Type I short (Automotive) T2S Type II short T2M Type II medium T3S Type III short T3M Type III medium T4M Type IV medium TFTM Forward throw medium T5VS Type V very short <sup>3</sup> T5S Type V short <sup>3</sup> TSM Type V medium <sup>3</sup> TSW Type V wide <sup>3</sup> BLC Backlight control <sup>4</sup> LCCO Left corner cutoff <sup>4</sup> RCCO Right corner cutoff <sup>4</sup>	MVOLT <sup>5</sup> XVOLT (277V-480V) <sup>6,7,8</sup> 120 <sup>9</sup> 208 <sup>9</sup> 240 <sup>9</sup> 277 <sup>9</sup> 347 <sup>9</sup> 480 <sup>9</sup>	<b>Shipped included</b> SPA Square pole mounting RPA Round pole mounting <sup>10</sup> WBA Wall bracket <sup>3</sup> SPUMBA Square pole universal mounting adaptor <sup>11</sup> RPUMBA Round pole universal mounting adaptor <sup>9</sup> <b>Shipped separately</b> KMA8 DDBXD U Mast arm mounting bracket adaptor (specify finish) <sup>12</sup>

Control options	Other options	Finish (required)	Generation (required)
<b>Shipped installed</b> NLTAIR2 nLight AIR generation 2 enabled <sup>13</sup> PIRHN Network, high/low motion/ambient sensor <sup>14</sup> PER NEMA twist-lock receptacle only (controls ordered separately) <sup>15</sup> PER5 Five-pin receptacle only (controls ordered separately) <sup>15,16</sup> PER7 Seven-pin receptacle only (controls ordered separately) <sup>15,16</sup> DMG 0-10v dimming wires pulled outside fixture (for use with an external control, ordered separately) <sup>17</sup> DS Dual switching <sup>18,19,20</sup>	PIR High/low, motion/ambient sensor, 8-15' mounting height, ambient sensor enabled at 5fc <sup>20,21</sup> PIRH High/low, motion/ambient sensor, 15-30' mounting height, ambient sensor enabled at 5fc <sup>20,21</sup> PIR1FC3V High/low, motion/ambient sensor, 8-15' mounting height, ambient sensor enabled at 1fc <sup>20,21</sup> PIRH1FC3V Bi-level, motion/ambient sensor, 15-30' mounting height, ambient sensor enabled at 1fc <sup>20,21</sup> FAO Field adjustable output <sup>20,22</sup>	DDBXD Dark bronze DBLXD Black DNAXD Natural aluminum DWHXD White DDBTXD Textured dark bronze DBLBXD Textured black DNATXD Textured natural aluminum DWHGXD Textured white	G1 Generation 1



# URA-40581

## Rado 5 Recessed

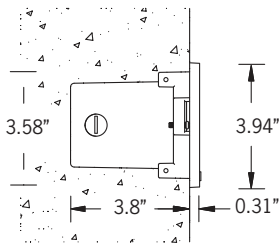
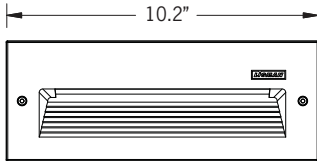
(LLTH # URA-40582)

TYPE SS1 OPTION

**LIGMAN**  
LIGHTING USA



11w LED 319 Lumens • 17w LED 447 Lumens  
IP65 • Suitable For Wet Locations  
IK09 • Impact Resistant (Vandal Resistant)  
Weight 3 lbs



### Construction

#### Aluminum Casting

Less than 0.1% copper content - Marine Grade 6060 extruded & LM6 Aluminum High Pressure die casting provides excellent mechanical strength, clean detailed product lines and excellent heat dissipation.

#### Pre paint

8 step degrease and phosphate process that includes deoxidizing and etching as well as a zinc and nickel phosphate process before product painting.

#### Memory Retentive -Silicon Gasket

LM6 Aluminum is used for its excellent mechanical strength and thermal dissipation properties in low and high ambient temperatures. The superior thermal heat sink design by Ligman used in conjunction with the driver, controls thermals below critical temperature range to ensure maximum luminous flux output, as well as providing long LED service life and ensuring less than 10% lumen depreciation at 50,000 hours.

#### Thermal management

LM6 Aluminum is used for its excellent mechanical strength and thermal dissipation properties in low and high ambient temperatures. The superior thermal heat sink design by Ligman used in conjunction with the driver, controls thermals below critical temperature range to ensure maximum luminous flux output, as well as providing long LED service life and ensuring less than 10% lumen depreciation at 50,000 hours.

#### Surge Suppression

Standard 10kv surge suppressor provided with all fixtures.

#### BUG Rating

B0 - U2 - G1

#### Finishing

All Ligman products go through an extensive finishing process that includes fettling to improve paint adherence.

#### Paint

UV Stabilized 4.9Mil thick powder coat paint and baked at 200 Deg C. This process ensures that Ligman products can withstand harsh environments. Rated for use in natatoriums.

#### Inspired by Nature Finishes

The Inspired by nature Finishing is a unique system of decorative powder coating. Our metal decoration process can easily transform the appearance of metal or aluminum product into a wood grain finish.

This patented technology enables the simulation of wood grain, and even marble or granite finish through the use of decorative powder coating.

The wood grain finish is so realistic that it's almost undistinguishable from real wood, even from a close visual inspection. The system of coating permeates the entire thickness of the coat and as a result, the coating cannot be removed by normal rubbing, chipping, or scratching.

#### The Coating Process

After pre-treatment the prepared parts are powder coated with a specially formulated polyurethane powder. This powder provides protection against wear, abrasion, impact and corrosion and acts as the relief base color for the finalized metal decoration.

The component is then wrapped with a sheet of non-porous film with the selected decoration pattern printed on it using special high temperature inks.

This printed film transfer is vacuum-sealed to the surface for a complete thermo print and then transferred into a customized oven. The oven transforms the ink into different forms within the paint layer before it becomes solid. Finally, the film is removed, and a vivid timber look on aluminum remains.

Wood grain coating can create beautiful wood-looking products of any sort. There are over 300 combinations of designs currently in use. Wood grains can be made with different colors, designs, etc.

Our powder coatings are certified for indoor and outdoor applications and are backed by a comprehensive warranty. These coatings rise to the highest conceivable standard of performance excellence and design innovation.

#### Added Benefits

- Resistance to salt-acid room, accelerated aging
- Boiling water, lime and condensed water resistant
- Anti-Graffiti, Anti-Slip, Anti-Microbial, Anti-Scratch
- Super durable (UV resistant)
- TGIC free (non-toxic)

#### Hardware

Provided Hardware is Marine grade 316 Stainless steel.

#### Anti Seize Screw Holes

Tapped holes are infused with a special anti seize compound designed to prevent seizure of threaded connections, due to electrolysis from heat, corrosive atmospheres and moisture.

#### Crystal Clear Low Iron Glass Lens

Provided with tempered, impact resistant crystal clear low iron glass ensuring no green glass tinge.

#### Optics & LED

Precise optic design provides exceptional light control and precise distribution of light. LED CRI > 80

#### Lumen - Maintenance Life

L80 /B10 at 50,000 hours (This means that at least 90% of the LED still achieve 80% of their original flux)

**Sturdy classic wall-recessed pathway and stair luminaire. Simple pleasing aesthetic and sturdy construction, perfect for retrofit applications with its multiple sizes offered.**

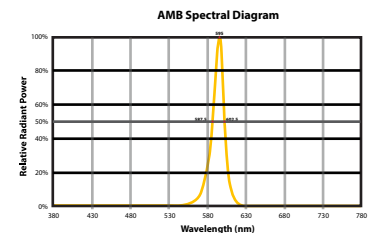
A range of rectangular and square wall recessed luminaires, with an indirect optical system, offering high vandal resistance. Suitable for indoor or outdoor applications. The recessed LED eliminates all discomfort glare as light is directed to the ground providing illumination where it is needed and minimizing light spill. This luminaire is provided with a powdercoated high pressure die-cast aluminum back box and can be pre shipped to the jobsite for concrete pour or masonry applications. This fixture is suitable for lighting footpaths, stairs, squares and entrances.

The Rado range has a matching bollard offering to complement the recessed product. See bollard section on the Ligman website.

All Ligman fixtures can be manufactured using a special pre-treatment and coating process that ensures the fixture can be installed in natatoriums as well as environments with high concentrations of chlorine or salt and still maintain the 5 year warranty. For this natatorium rated process please specify NAT in options.



### CITY OF FLAGSTAFF & TURTLE FRIENDLY COMPLIANT



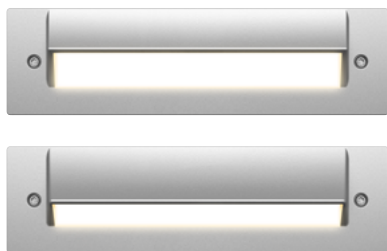
#### Narrow-Spectrum Amber LEDs

Peak wavelength between 585 & 595 nanometers and a full width of 50% power no greater than 15 nanometers.



## Bezel BZ2 Step Light

LS1230



The Bezel BZ2 is a recessed, wall-mounted luminaire that provides a powerful and versatile solution for low mounting heights. The unique floor-graze optic reduces the required height of architectural elements to house and install the luminaire. The luminaire's performance wall optic offers best-in-class uniformity and high output to satisfy difficult municipal codes for egress and way-finding. Short and long shroud faceplate designs to maximize performance in any application. The slim, unobtrusive low-profile design offers minimalist aesthetics to accommodate other elements inside the wall.

## Performance

Static White & Color		Lumen Output (lm)	Efficacy (lm/W)	Peak Intensity (cd)
● 2,700 K (80 CRI)	Low Voltage	100	28	72
	Line Voltage <sup>1</sup>	760	63	1,029
● 3,000 K (80 CRI) <sup>1</sup>		825	69	1,117
● 4,000 K (80 CRI) <sup>1</sup>		825	69	1,117

<sup>1</sup> Lumen output values are based on 10 W luminaire with the Performance Wash optic and a white finish.

Dynamic Color		Lumen Output (lm)	Efficacy (lm/W)	Peak Intensity (cd)
● RGBW		165	20	116

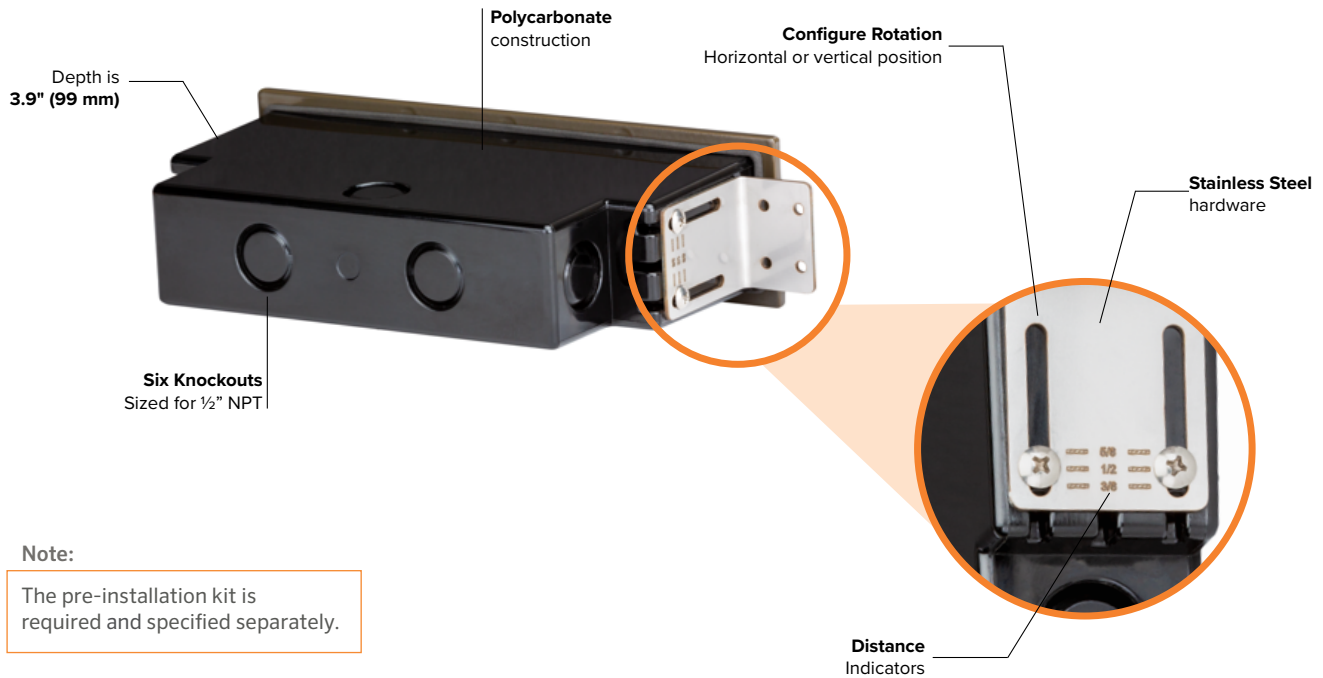


Products and specifications are subject to change without notice.  
LS1230-220509

Accessories

Mounting Kit

Used for mounting the Bezel BZ2 step light into a wall during pre-installation.



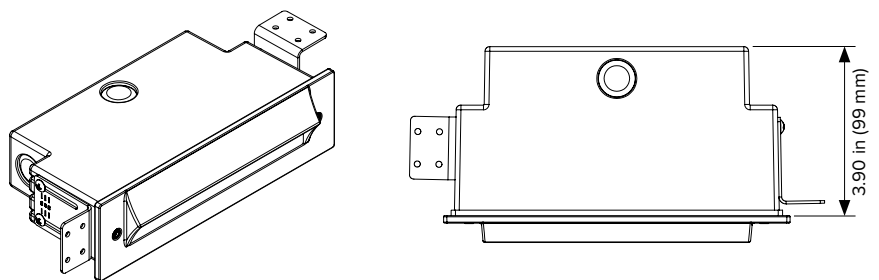
Note:

The pre-installation kit is required and specified separately.

Specification Matrix

	LS6331
Mounting	Code
Pre-Install Kit	LS6331

Technical Drawings



# UAU-30580

## Austin 1 Wall Mount



TYPE SW1



### Construction

#### Aluminum

Less than 0.1% copper content – Marine Grade 6060 extruded & LM6 Aluminum High Pressure die casting provides excellent mechanical strength, clean detailed product lines and excellent heat dissipation.

#### Pre paint

8 step degrease and phosphate process that includes deoxidizing and etching as well as a zinc and nickel phosphate process before product painting.

#### Memory Retentive -Silicon Gasket

Provided with special injection molded “fit for purpose” long life high temperature memory retentive silicon gaskets. Maintains the gaskets exact profile and seal over years of use and compression.

#### Thermal management

LM6 Aluminum is used for its excellent mechanical strength and thermal dissipation properties in low and high ambient temperatures. The superior thermal heat sink design by Ligman used in conjunction with the driver, controls thermals below critical temperature range to ensure maximum luminous flux output, as well as providing long LED service life and ensuring less than 10% lumen depreciation at 50,000 hours.

#### Surge Suppression

Standard 10kv surge suppressor provided with all fixtures.

#### BUG Rating

Contact Factory

#### Finishing

All Ligman products go through an extensive finishing process that includes fettling to improve paint adherence.

#### Paint

UV Stabilized 4.9Mil thick powder coat paint and baked at 200 Deg C. This process ensures that Ligman products can withstand harsh environments. Rated for use in natatoriums.

#### Hardware

Provided Hardware is Marine grade 316 Stainless steel.

#### Anti Seize Screw Holes

Tapped holes are infused with a special anti seize compound designed to prevent seizure of threaded connections, due to electrolysis from heat, corrosive atmospheres and moisture.

#### Crystal Clear Low Iron Glass Lens

Provided with tempered, impact resistant crystal clear low iron glass ensuring no green glass tinge.

#### Optics & LED

Precise optic design provides exceptional light control and precise distribution of light. LED CRI > 80

#### Lumen - Maintenance Life

L80 /B10 at 50,000 hours (This means that at least 90% of the LED still achieve 80% of their original flux)

**Rounded profile wall-mounted area downlight. Classic and practical profile affording wildlife and dirt resistant urban area lighting solutions.**

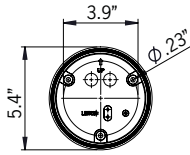
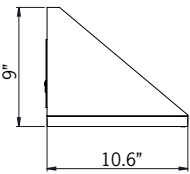
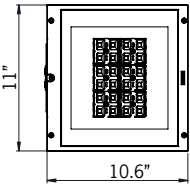
A small size wedge-shaped wall mounted luminaire with a selection of precision optics providing type I, II, III, IV & V light distributions for optimum spacing and perfect uniformity between light fixtures.

This light fixture has vandal proof tempered glass with specially designed silicon gaskets that allow the fixture to be mounted as an uplight, as well as downlight configurations.

Installation is made easy with a die cast aluminum wall mount casting, that is attached to the wall before securing the fixture with a single vandal resistant screw.

The lens is available in clear or lightly frosted options to suit customer requirements. Designed for the illumination of entrances, terraces, corridors and building facades. For mounting in upward or downward positions. When installed as a downlight this fixture is Dark Sky compliant.

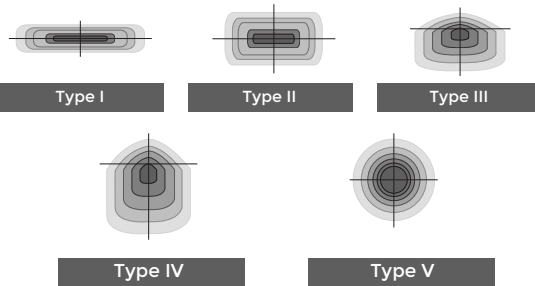
37w LED 5121 Lumens | 53w LED 7178 Lumens  
IP65 • Suitable For Wet Locations  
IK08 • Impact Resistant (Vandal Resistant)  
Weight 13 lbs



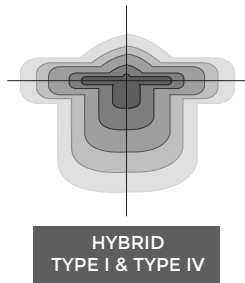
Mounting Detail



Ligman's micro Variable Optical System provides the ability to interchange, mix & rotate optics to provide specific light distributions for optimized spacing and uniformity.



The variable optic system allows for the designer to create hybrid distributions for precise lighting requirements.



# UAUG-30011

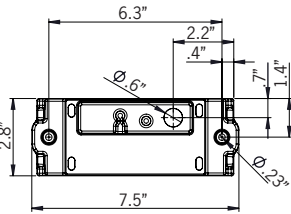
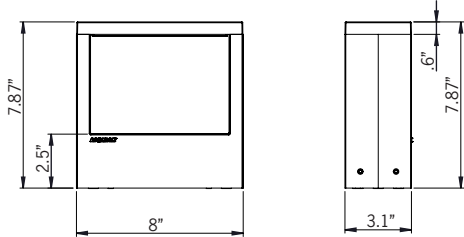
## Augusta 2 Medium Wall Light

TYPE SW3

**LIGMAN**  
LIGHTING USA



14w LED 796 Lumens  
IP65 • Suitable For Wet Locations  
IK08 • Impact Resistant (Vandal Resistant)  
Weight 5 lbs



Mounting Detail

### Construction

#### Aluminum

Less than 0.1% copper content - Marine Grade 6060 extruded & LM6 Aluminum High Pressure die casting provides excellent mechanical strength, clean detailed product lines and excellent heat dissipation.

#### Pre paint

8 step degrease and phosphate process that includes deoxidizing and etching as well as a zinc and nickel phosphate process before product painting.

#### Memory Retentive -Silicon Gasket

LM6 Aluminum is used for its excellent mechanical strength and thermal dissipation properties in low and high ambient temperatures. The superior thermal heat sink design by Ligman used in conjunction with the driver, controls thermals below critical temperature range to ensure maximum luminous flux output, as well as providing long LED service life and ensuring less than 10% lumen depreciation at 50,000 hours.

#### Thermal management

LM6 Aluminum is used for its excellent mechanical strength and thermal dissipation properties in low and high ambient temperatures. The superior thermal heat sink design by Ligman used in conjunction with the driver, controls thermals below critical temperature range to ensure maximum luminous flux output, as well as providing long LED service life and ensuring less than 10% lumen depreciation at 50,000 hours.

#### Surge Suppression

Standard 10kv surge suppressor provided with all fixtures.

#### BUG Rating

B1 - U0 - G1

#### Finishing

All Ligman products go through an extensive finishing process that includes fettling to improve paint adherence.

#### Paint

UV Stabilized 4.9Mil thick powder coat paint and baked at 200 Deg C. This process ensures that Ligman products can withstand harsh environments. Rated for use in natatoriums.

#### Inspired by Nature Finishes

The Inspired by nature Finishing is a unique system of decorative powder coating. Our metal decoration process can easily transform the appearance of metal or aluminum product into a wood grain finish.

This patented technology enables the simulation of wood grain, and even marble or granite finish through the use of decorative powder coating.

The wood grain finish is so realistic that it's almost undistinguishable from real wood, even from a close visual inspection. The system of coating permeates the entire thickness of the coat and as a result, the coating cannot be removed by normal rubbing, chipping, or scratching.

#### The Coating Process

After pre-treatment the prepared parts are powder coated with a specially formulated polyurethane powder. This powder provides protection against wear, abrasion, impact and corrosion and acts as the relief base color for the finalized metal decoration.

The component is then wrapped with a sheet of non-porous film with the selected decoration pattern printed on it using special high temperature inks.

This printed film transfer is vacuum-sealed to the surface for a complete thermo print and then transferred into a customized oven. The oven transforms the ink into different forms within the paint layer before it becomes solid. Finally, the film is removed, and a vivid timber look on aluminum remains.

Wood grain coating can create beautiful wood-looking products of any sort. There are over 300 combinations of designs currently in use. Wood grains can be made with different colors, designs, etc.

Our powder coatings are certified for indoor and outdoor applications and are backed by a comprehensive warranty. These coatings rise to the highest conceivable standard of performance excellence and design innovation.

#### Added Benefits

- Resistance to salt-acid room, accelerated aging
- Boiling water, lime and condensed water resistant
- Anti-Graffiti, Anti-Slip, Anti-Microbial, Anti-Scratch
- Super durable (UV resistant)
- TGIC free (non-toxic)

#### Hardware

Provided Hardware is Marine grade 316 Stainless steel.

#### Anti Seize Screw Holes

Tapped holes are infused with a special anti seize compound designed to prevent seizure of threaded connections, due to electrolysis from heat, corrosive atmospheres and moisture.

#### Crystal Clear Low Iron Glass Lens

Provided with tempered, impact resistant crystal clear low iron glass ensuring no green glass tinge.

#### Optics & LED

Precise optic design provides exceptional light control and precise distribution of light. LED CRI > 80

#### Lumen - Maintenance Life

L80 /B10 at 50,000 hours (This means that at least 90% of the LED still achieve 80% of their original flux)

**Elegant architectural open frame luminaire range. Glare free concealed optic, indirect, refined and stylish solution to complement contemporary urban spaces.**

A range of decorative square indirect wall mounted luminaires with hidden LEDs and optics that provides decorative and functional wall illumination. Ideally suited to illuminate the wall and surfaces, as well as provide light accents on vertical surfaces.

This luminaire can be mounted in a horizontal or vertical position to provide a specific visual element to the building.

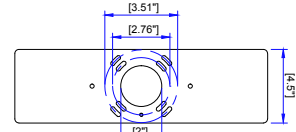
The Augusta is suitable for indoor and outdoor applications and provides a clean and visually appealing solution for wall mounted luminaires. This surface mounted luminaire is available in 3 different sizes, as well as bollard combinations. The Augusta 1 meets ADA compliance.

All Ligman fixtures can be manufactured using a special pre-treatment and coating process that ensures the fixture can be installed in natatoriums as well as environments with high concentrations of chlorine or salt and still maintain the 5 year warranty. For this natatorium rated process please specify NAT in options.

### Additional Options (Consult Factory For Pricing)



SCDT  
Surface Conduit Decorative Trim



4MP  
4" Octagonal  
J-Box Mounting Plate

NOTE: This decorative trim does not function as a junction box. Wire connections should be made inside the luminaire

